



FAG

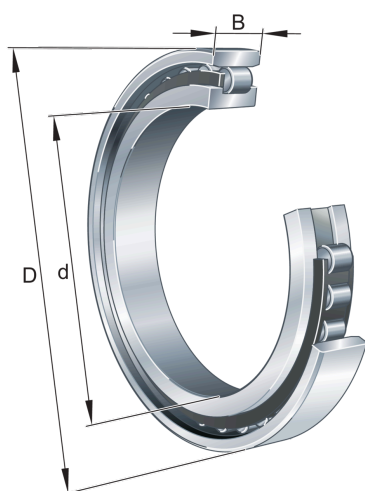
**N310-E-XL-TVP2**

Cylindrical roller bearing

Schaeffler ID:  
0167339910000

Cylindrical roller bearing N3..-E-TVP2, with cage, single row, non-locating bearing, 0 ribs on outer ring, 2 rib on inner ring, type N3

## Technical information

**Main Dimensions & Performance Data**

d	50 mm	Bore diameter
D	110 mm	Outside diameter
B	27 mm	Width
$C_r$	128,000 N	Basic dynamic load rating, radial
$C_{0r}$	110,000 N	Basic static load rating, radial
$C_{ur}$	20,400 N	Fatigue load limit, radial
$n_{G\text{ Grease}}$	7,600 1/min	Limiting speed for grease lubrication
$n_{G\text{ Oil}}$	8,900 1/min	Limiting speed for oil lubrication
	1.13 kg	Weight

**Dimensions**

$r_{1\text{ min}}$	2 mm	Minimum chamfer dimension
$s_1$	1.7 mm	Axial displacement
E	97 mm	Raceway diameter outer ring

**Mounting dimensions**

$d_{a\text{ min}}$	61 mm	Minimum diameter shaft shoulder
$D_{a\text{ max}}$	99 mm	Maximum diameter of housing shoulder
$r_{a1\text{ max}}$	2 mm	Maximum recess radius

**Temperature range**

$T_{\text{min}}$	-30 °C	Operating temperature min.
$T_{\text{max}}$	120 °C	Operating temperature max.